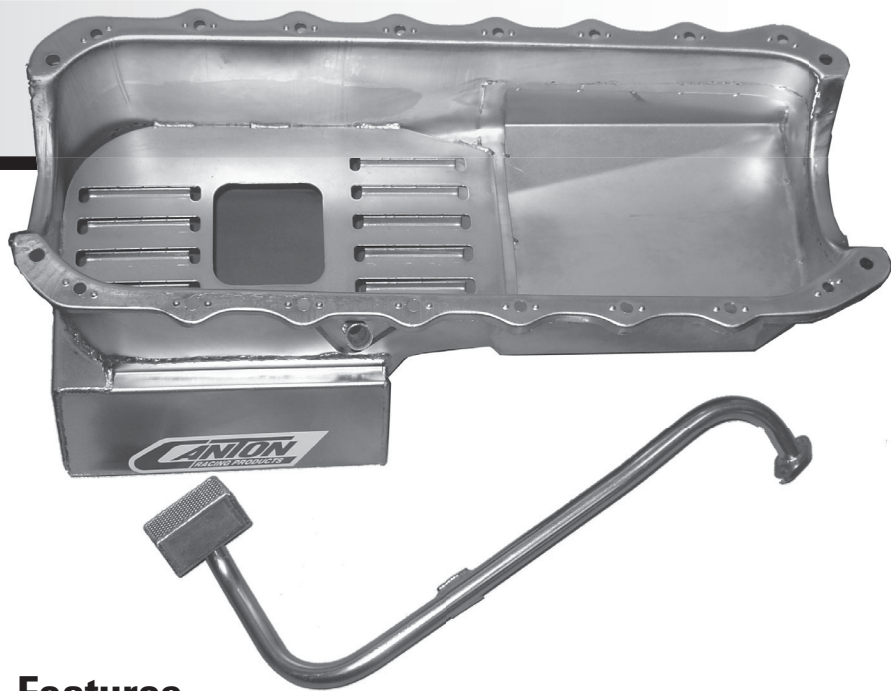


Canton

street/strip Holden V8 oil pans

Another fine product from Canton Racing Products, makers of high quality, well-designed oil pans for more than 30 years.



Features

- Larger than stock 6.5 litre oil capacity
- Fits over most main stud girdles
- VN style dimpled rails for better gasket seal
- Louvered sash baffle for better oil control
- Gold iridite plated finish.

Available for
VB-VT Commodore (CN15580) and
HQ-WB Holden (CN15590)
Matching high performance pick-ups
VB-VT Commodore (CN15591) and
HQ-WB Holden (CN15581)

CANTON
RACING PRODUCTS

AUSTRALIA

1300 364 350

NEW ZEALAND

0508 364 350

 **precision**